

# KimaAir Outside→In Undertile Roofing Vent



## TECHNICAL DATA & INSTALLATION GUIDE

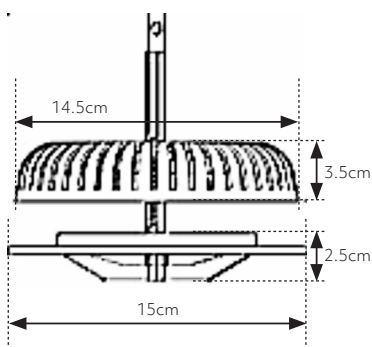
### PRODUCT OVERVIEW

The KimaAir Outside-In vent is designed for use on new roofs to protect against condensation in the roof space. Highly economical and fast to install, KimaAir vents sit concealed beneath the roof tiles, offering a new way of providing roof space ventilation. Unlike the KimaAir Inside-Out retrofitted version, the Outside-In unit is installed from outside the roof space and is ideal for new builds or re-roofing projects.

### Features and Benefits

- Efficient ventilation of roof spaces to help prevent condensation
- Hidden vent design provides enhanced roof aesthetics
- Quick, one-person installation using "Snap-Lock" fitting
- Can be fitted into all types of roofing underlay from 0.2 – 25mm
- Flexible and highly durable

### Technical Data



**Usage:** Can be fitted into all kinds of roofing underlay materials, including bitumen, from 0.2 – 25mm

**Fitting Area:** The KimaAir vents require the batten cavity (above the underlay) to have a minimum depth of 4cm to accommodate the grill section.

**Ventilation:** Area per unit is 56cm<sup>2</sup>

**Coverage:** A typical roof would accommodate 35 vents per 100m<sup>2</sup>

**Material:** Polypropylene

**Colour:** Anthracite black

**Certification:** ISO 3302-1, Class M2

**Unit weight:** 72 grams

**Waste disposal:** 100% recycled

### Installation



**1** Mark out the location for a 111mm diameter hole on the underlay, then, using a knife or jigsaw, cut the hole



**2** Holding firmly onto the fixing strip, squeeze the lower (flat) section through the hole, so that it is below the underlay



**3** Mount the upper grill section by feeding the fixing strip through its centre



**4** Press the upper grill section against the underlay and pull the fixing strip upwards to tighten and lock the two sections together



**5** Cut off the excess of the fixing strip approx. 1cm above the grill section



**6** The KimaAir Outside-In is now installed



Search for  
**KIMA Roofing Accessories**  
for a video installation on YouTube

### Contact

Kima Roofing Accessories  
Kastanievej 3  
DK 6862 Tistrup  
Tel: (+45) 75 33 08 0  
Email: [mail@kimarroof.dk](mailto:mail@kimarroof.dk)  
[www.kimarroof.dk](http://www.kimarroof.dk)

For UK and Ireland enquiries  
email [UK@kimarroof.dk](mailto:UK@kimarroof.dk)  
or telephone +44 (0) 330 133 0019



KimaAir Outside-In is manufactured in Denmark by Kima Roofing Accessories and is fully patented  
Patent number PR178067



Follow us on Twitter  
[@KimaRoofing](https://twitter.com/KimaRoofing)